

ALL STAINLESS STEEL CAPSULE LOW PRESSURE GAUGE



Application

Capsule low pressure gauge is suitable for dry, corrosive environments and gaseous media.

Specifications:

Nominal sizes:

4", 6"

Accuracy:

4", 6" : +/- 1.6%

Connection:

BSPT 1/2" for 4", 6"

Scale Range, according to EN 837-1/5

Pressure ranges: 0 to 6/10/16/25/40/60/100/160/250/400/600/1000mbar

Vacuum range: -600/-400/-250/-160/-100/-60/-40/-25/-16/-10/-6 to 0 mbar

Low Pressure range: 100 to 5000mmAq

Operating Temperature:

Ambient: -20°C..+60°C

Medium: +100°C maximum

Material Specification:

Case and DIN bayonet ring: AISI 316 stainless steel Window: Instrument Glass

Wetted parts: AISI 316 stainless steel

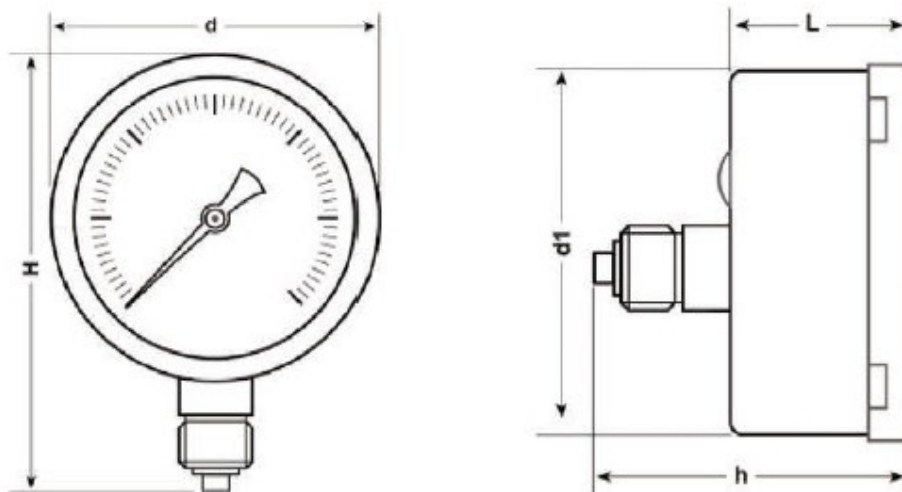
Movement: AISI 316 stainless steel

Options:

NPT, BSP or other process connection

Restrictor

Double dial range or other dial ranges

DIMENSION:

| DIAL SIZE | d | d1 | L | H | h |
|-----------|------|-----|----|-----|----|
| 4" | Ø101 | 99 | 50 | 138 | 85 |
| 6" | Ø161 | 159 | 50 | 200 | 85 |

dimensions are approximate and can be changed without prior notice